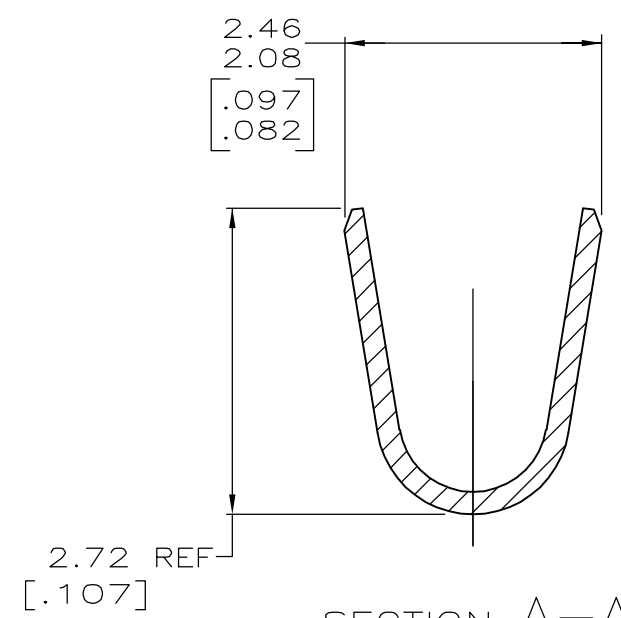
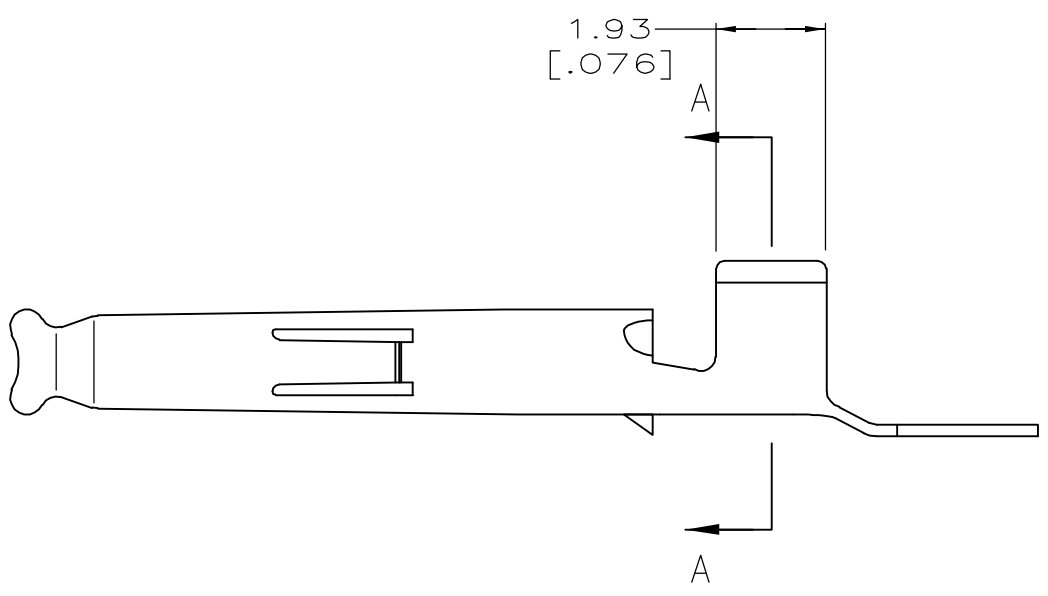
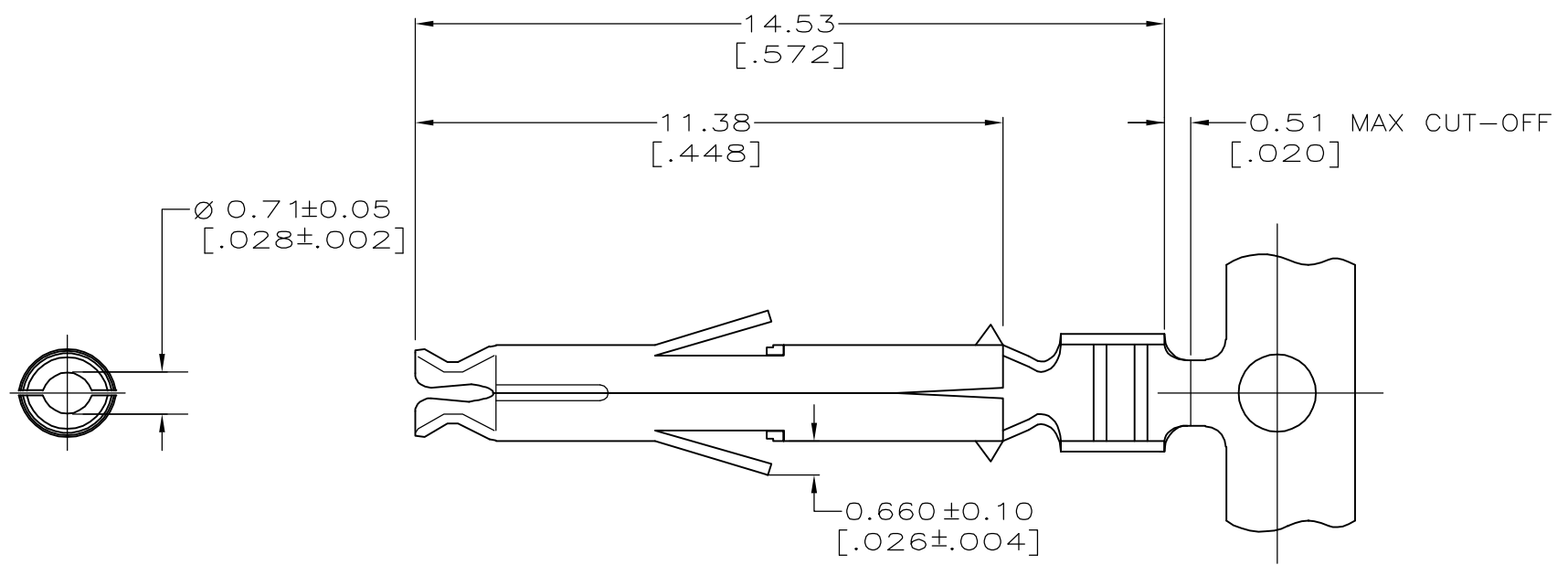


THIS DRAWING IS UNPUBLISHED. RELEASED FOR PUBLICATION  
 © COPYRIGHT - BY TYCO ELECTRONICS CORPORATION. ALL RIGHTS RESERVED.

LOC	DIST	REVISIONS			
P	LTR	DESCRIPTION	DATE	DWN	APVD
CM	00	B	REVISED PER 0G3B-0984-04	15SEP05	KW CJ

1. WIRE RANGE: 0.3 - 0.9MM<sup>2</sup> (22-18 AWG).
2. INSULATION RANGE: 1.50-2.40[.060-.094] DIA.
3. DIMENSIONS IN BRACKETS ARE IN INCHES.



SECTION A-A  
SCALE 20:1

PRE-TIN	0.20 [.008] BRASS	794831-1
FINISH	MATERIAL	PART NO

THIS DRAWING IS A CONTROLLED DOCUMENT.		DWN K. WHITAKER 20FEB2004	Tyco Electronics Corporation Harrisburg, PA 17105-3608		
DIMENSIONS: mm [INCHES]		CHK C. JONES 20FEB04			
TOLERANCES UNLESS OTHERWISE SPECIFIED:		APVD C. JONES 20FEB04	NAME SOCKET, MINI UNIVERSAL MATE-N-LOK(TM)		
0 PLC ± - 1 PLC ± - 2 PLC ± 0.13 [.005] 3 PLC ± - 4 PLC ± - ANGLES ± 0°30'		PRODUCT SPEC -	RESTRICTED TO -		
MATERIAL -		APPLICATION SPEC -	SIZE A3	CAGE CODE 00779	DRAWING NO C-794831
FINISH -		WEIGHT -	CUSTOMER DRAWING		SCALE 10:1
		SHEET 1 OF 1		REV B	

**METRIC**